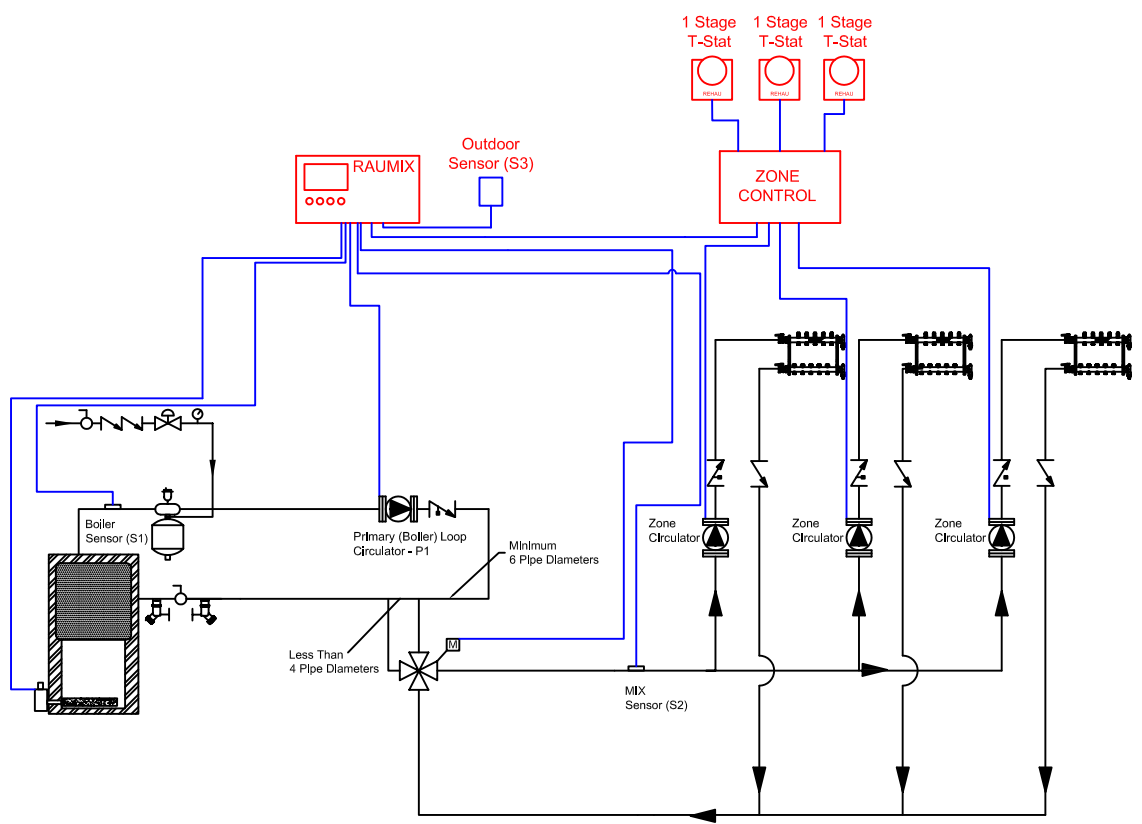
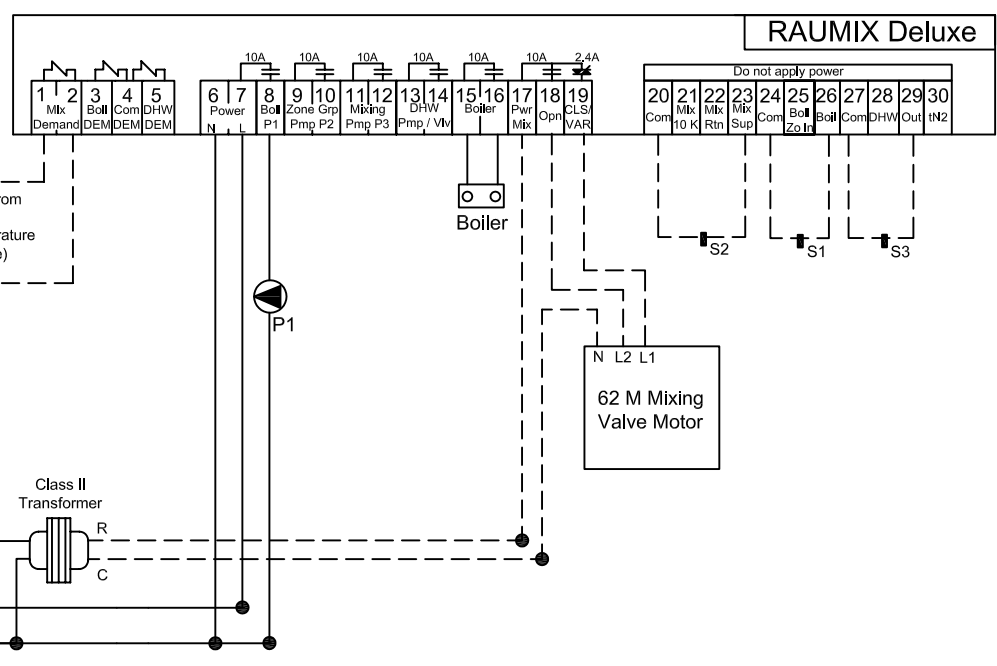


**LEGEND:**

	4-way Mixing Valve and Motor
	Fill / Purge Valves
	Circulator
	Make-Up Water System
	Flow Check Valve
	Swing Check Valve
	Pressure Differential Bypass Valve
	PRO-BALANCE Manifold
	Baseboard Zone (s)
	Float type Air Vent & Air Scoop (air purger)
	Zone Valve



**MECHANICAL ROOM SCHEMATIC**



**LEGEND:**

- Sensors
- Low Voltage
- Line Voltage

P1 = Primary Loop Circulator  
P2 = High Temperature Circulator  
P3 = System Circulator  
P4 = Domestic Hot Water Circulator  
P5 = Variable Speed Circulator

S1 = Boiler Sensor  
S2 = RFH (Mix) Sensor  
S3 = Outside Sensor  
S4 = Domestic Hot Water Sensor

**NOTES:**  
Provided only for general quotation purposes. No representations, warranties, or guarantees are made as to the suitability of the drawing to meet code requirements for any particular project, nor to the accuracy of the costing of any project based upon this drawing. The user must determine suitability of the drawing and information for user's intended use and shall assume all risk and liability in connection therewith, including that the user must seek on his own licensed local professional advice for any particular project. REHAU DISCLAIMS ALL WARRANTIES, EXPRESS OR IMPLIED, INCLUDING BUT NOT LIMITED TO ANY IMPLIED WARRANTIES OF MERCHANTABILITY OR FITNESS FOR A PARTICULAR PURPOSE.

Copyright 2006 REHAU, Inc.. All Rights Reserved, in particular rights concerning translation, reproduction, making photocopies, electronic transmissions, reproduction in photographs or by similar means and the archiving of this document in a database are not permitted.

**ELECTRICAL SCHEMATIC**